

1

2

3

4

5

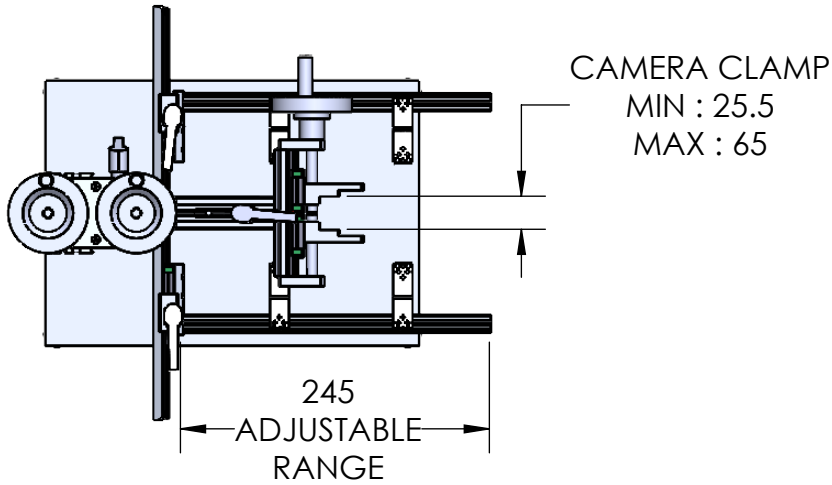
6

7

8

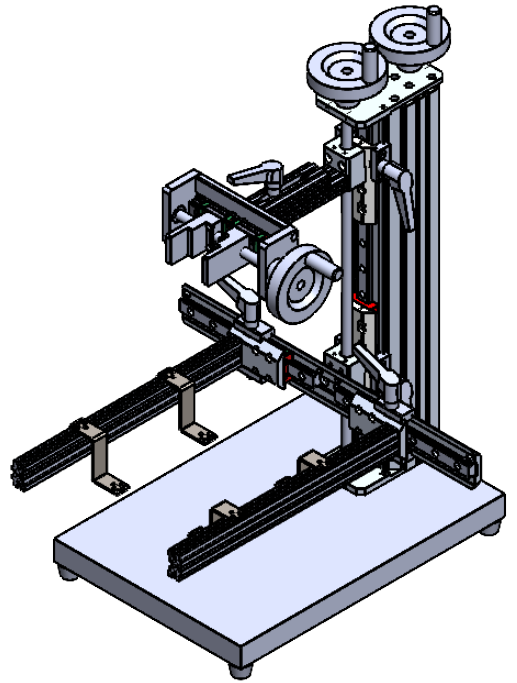
D

D



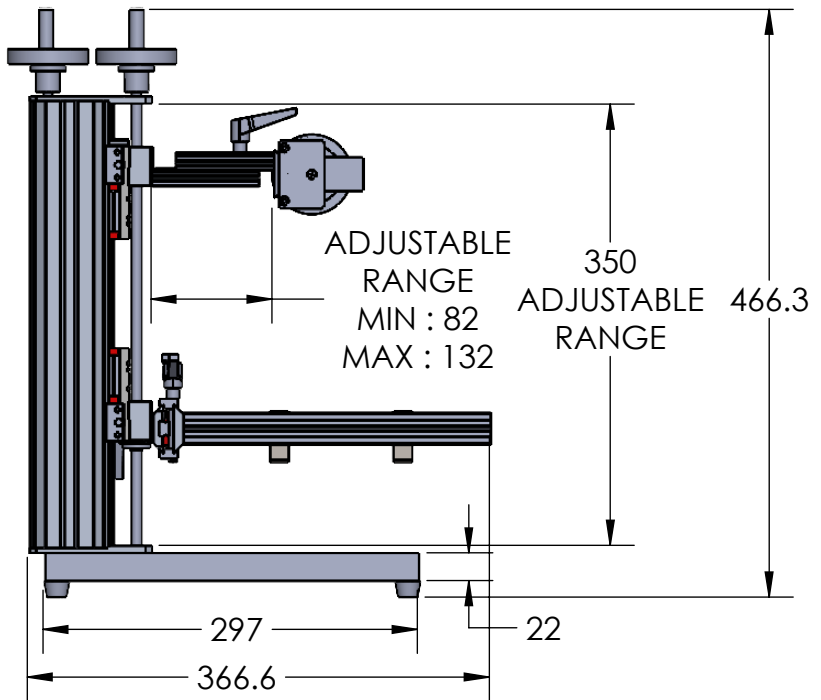
C

C



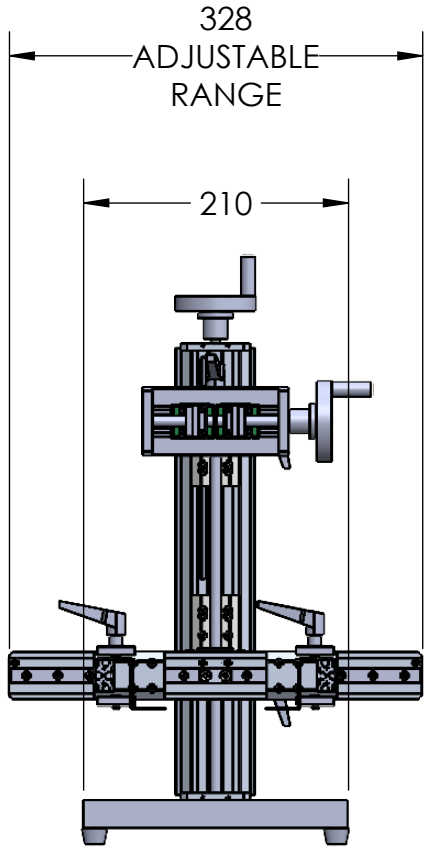
B

B



A

A



DESIGN BY	KANG	UNIT:	MM	
CHECK BY	KANG	REVISION:	01	
DATE	16/12/2022	SCALE:	1 : 1	
MATERIAL	-	TITLE	DRAWING LAYOUT (FUNCTION 1)	
FINISHING	-	PART NO	DK-CLM2-AJM-UCM-U-CP-LP	
QTY	-	DWG NO	-	SHEET 1 OF 1



1

2

3

4

5

6

7

8