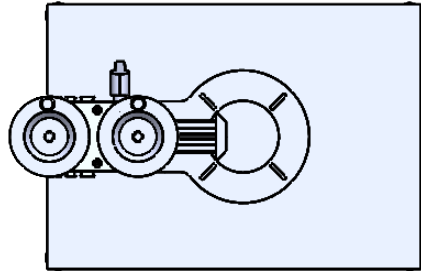
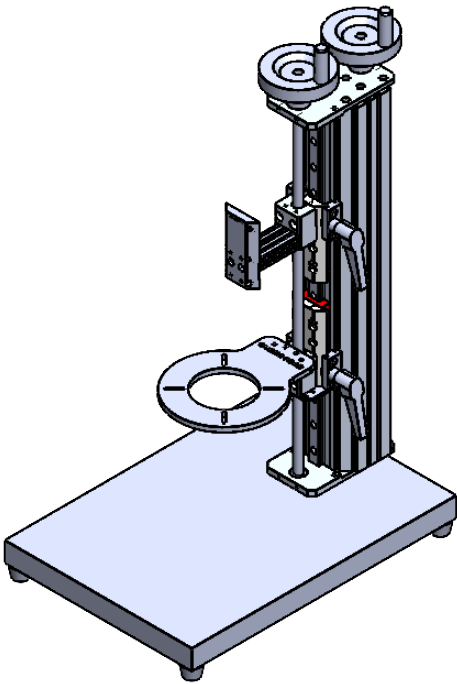


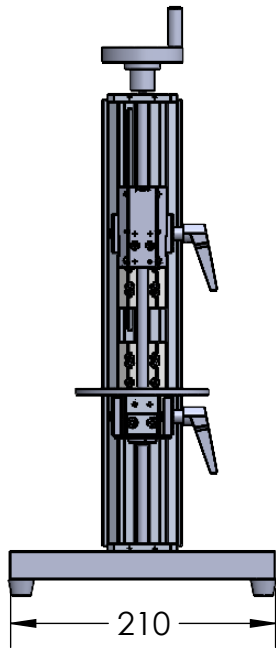
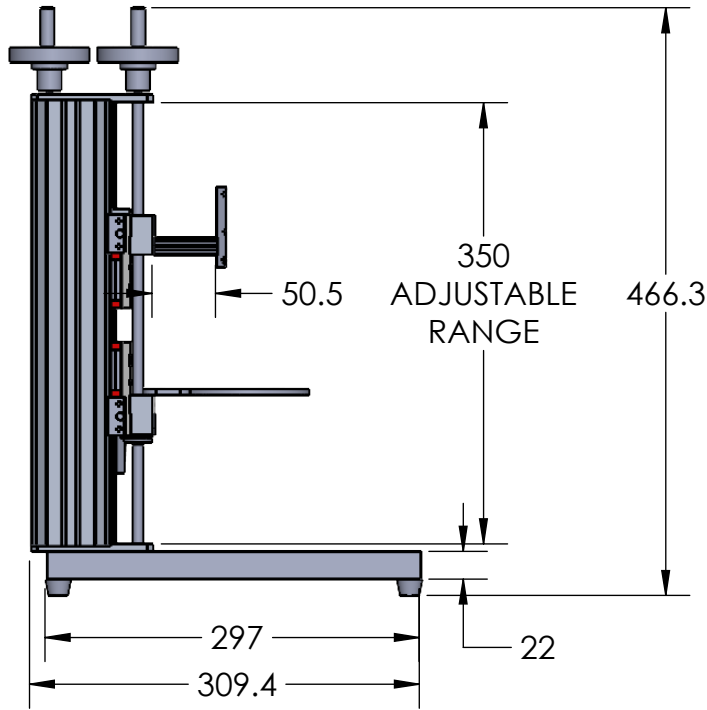
D



C



B



A

DESIGN BY	KANG	UNIT: MM	PRODUCT SERIES: CLM2 SERIES	
CHECK BY	KANG			
DATE	16/12/2022	REVISION: 01	TITLE	DRAWING LAYOUT (FUNCTION 2)
MATERIAL	-	SCALE: 1 : 1	PART NO	DK-CLM2-ADJUSTMENT-XXX-01
FINISHING	-		DWG NO	-
QTY	-			SHEET 1 OF 1

