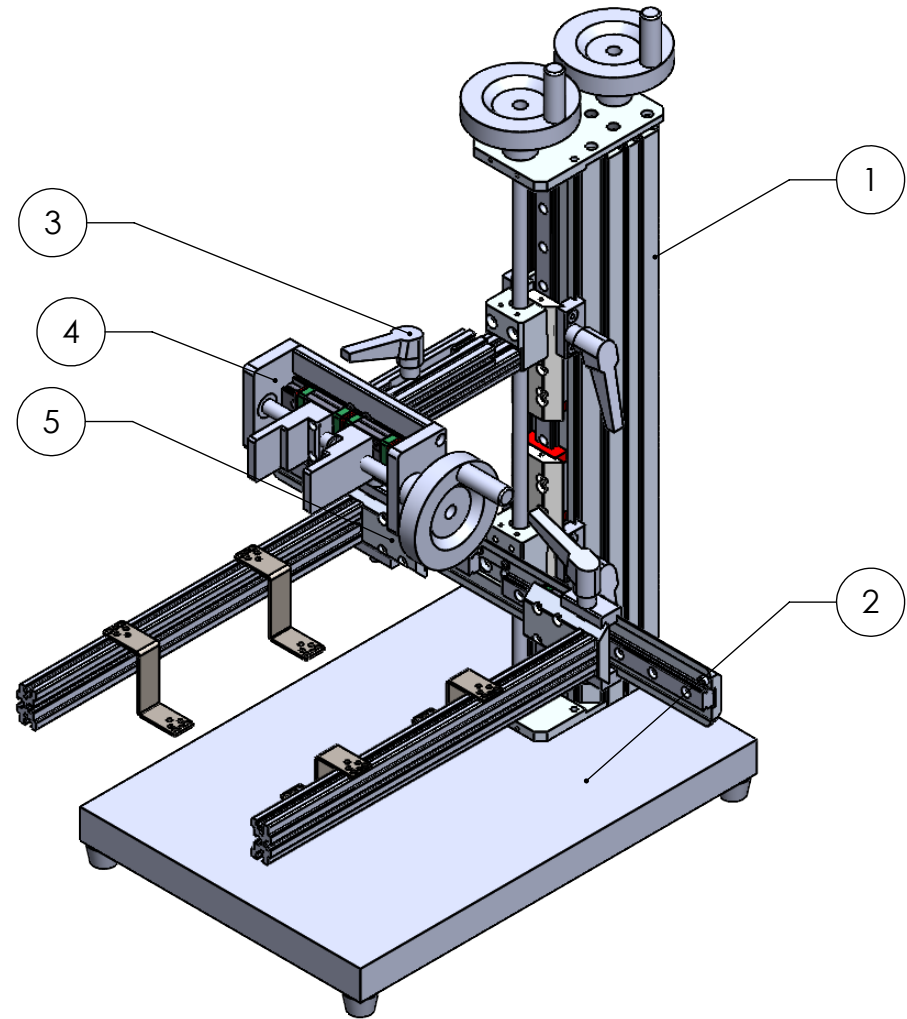


ITEM NO.	PART NUMBER
1	VT-4SIDE-ADJUSTMENT-CLM-350MM
2	JIG-BASE-03
3	M6-80&85
4	PTS-UCM-V3
5	CM-328-SLIDER-COMBINE BRACKET



DESIGN BY	KANG	UNIT:	MM	PRODUCT SERIES: CLM2 SERIES	
CHECK BY	KANG	REVISION:	01	TITLE	EXPLODED LAYOUT (FUNCTION 1)
DATE	16/12/2022	SCALE:	1 : 1	PART NO	DK-CLM2-AJM-UCM-U-CP-LP
MATERIAL	-	DWG NO	-	SHEET 1 OF 1	
FINISHING	-				
QTY	-				