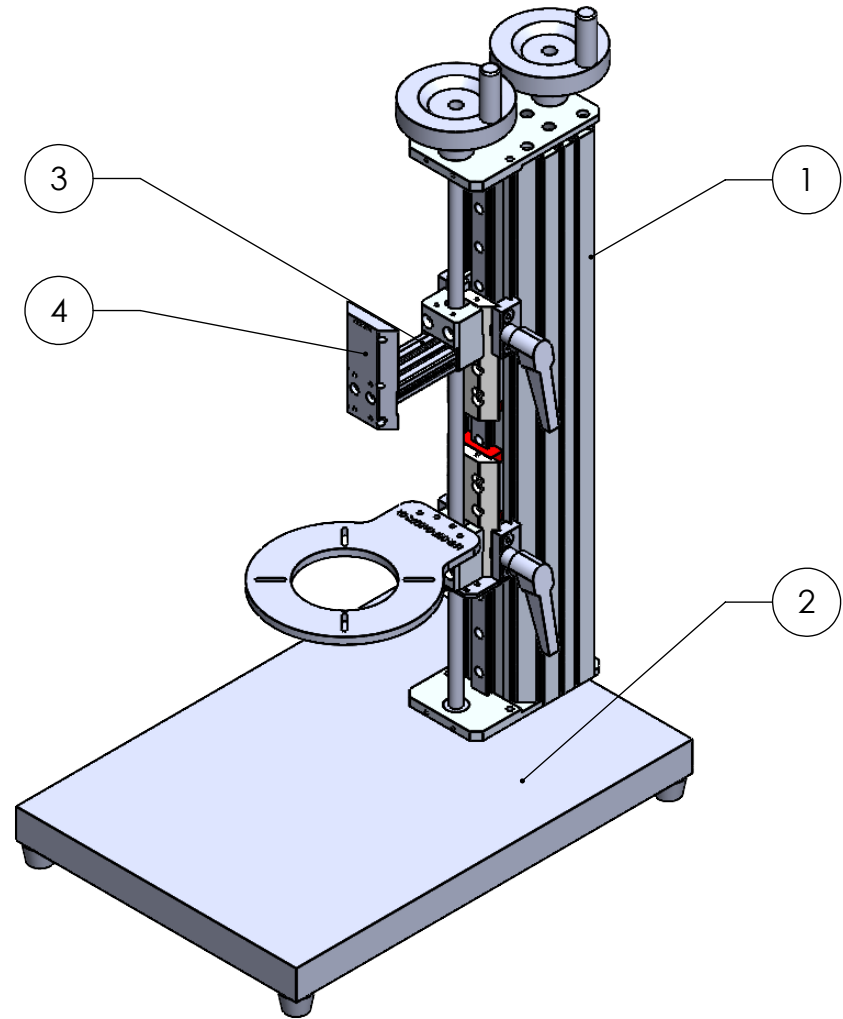


| ITEM NO. | PART NUMBER |
|----------|-----------------------------------|
| 1 | VT-4SIDE-ADJUSTMENT-CLM-350MM |
| 2 | JIG-BASE-03 |
| 3 | EB-50.5-01 |
| 4 | CM-064-HIK-01(CAMERA PLATE) |
| 5 | LPR-057-065092-01(LIGHTING PLATE) |



| | | | | |
|-----------|------------|-----------------|-----------------------------|------------------------------|
| DESIGN BY | KANG | UNIT: MM | PRODUCT SERIES: CLM2 SERIES | |
| CHECK BY | KANG | | | |
| DATE | 16/12/2022 | REVISION: 01 | TITLE | EXPLODED LAYOUT (FUNCTION 2) |
| MATERIAL | - | SCALE: 1:1 | PART NO | DK-CLM2-AJM-UCM-U-CP-LP |
| FINISHING | - | | DWG NO | - |
| QTY | - | | | SHEET 1 OF 1 |