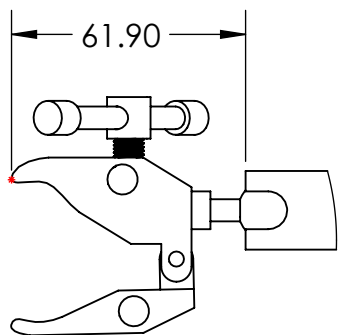
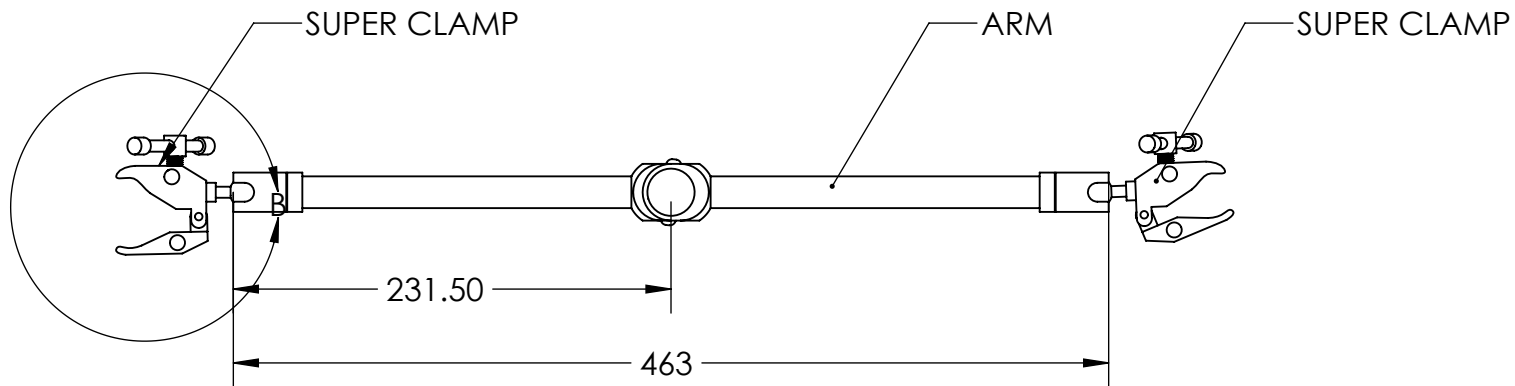


1 2 3 4 5 6 7 8

D D



DETAIL B
SCALE 1 : 2

DESIGN BY	FIRDAUS	UNIT:	PRODUCT SERIES: PTS SERIES	
CHECK BY	NIZAM	MM		
DATE	10/11/2023	REVISION:	TITLE	DRAWING LAYOUT
MATERIAL	-	01	PART NO	PTS-AA-DOUBLE CLAMP
FINISHING	-	SCALE:	DWG NO	-
QTY	-	1 : 1	SHEET 1 OF 1	



1 2 3 4 5 6 7 8

A A