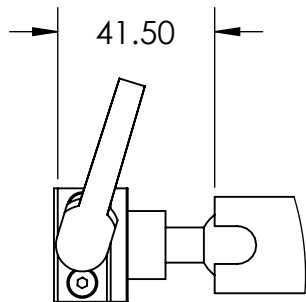
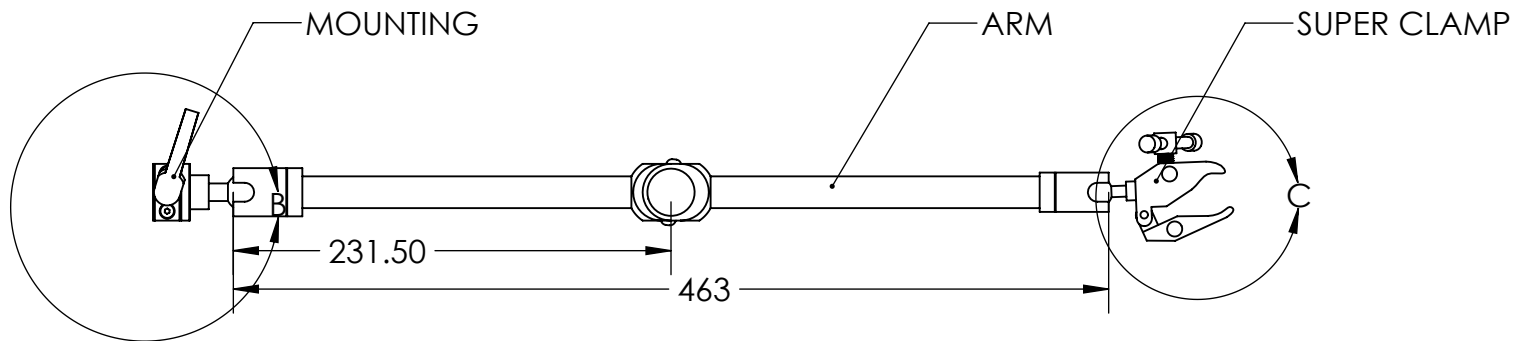
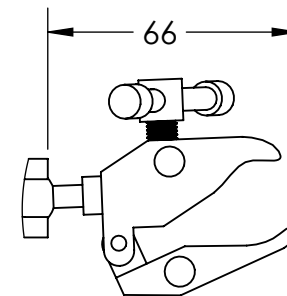


1 2 3 4 5 6 7 8

D D



DETAIL B
SCALE 1 : 2



DETAIL C
SCALE 1 : 2

B B

A A



DESIGN BY	FIRDAUS	UNIT:	MM	
CHECK BY	NIZAM	REVISION:	01	
DATE	10/11/2023	SCALE:	1 : 1	
MATERIAL	-	TITLE	DRAWING LAYOUT	
FINISHING	-	PART NO	PTS-AA-SINGLE CLAMP	
QTY	-	DWG NO	-	
			SHEET 1 OF 1	

1 2 3 4 5 6 7 8