

SPECIFICATION DATA

IPE-130X180



Product Details

- Protect electrical equipment from environmental factors like water, dust, and accidental contact.
- Secures system in place for a better and stable inspection.
- Comply with IP65 which offers complete protection against dust and protection against low-pressure water jets from any direction.
- Compatible on a moving robot arm.

Features & Benefits

- Made of aluminium with shining clear & gold color.
- Supplied with silicon o-ring & polycarbonate mirror.
- Supplied with certified IP54 split cable gland.
- Come with 4X M4 nuts for machine assembly.
- Compact with camera mounting.
- “PLUG AND PLAY” design.
- Customized unit available to fit special lighting, camera and lens.
- Come with M12-to-ferrule extension cable & M8-to-M12 cable adapter.

Lighting Specifications

Mechanical	
Casing Material	Aluminium
Storage & Operating Temperature Range	Temp 0 - 45°C, Humidity 20-85%
Weight(g)	300
Dimension(mm)	105.2 X 105.2 X 29

Illumination	
Lighting	Ringlight
Colour	White
Emission Angle(deg.)	00
Eye Safety Class	II

Electrical	
Lighting Supply Voltage(V)	24V ± 2%
Continuous Current(mA)	480
Power Consumption(W)	11.52

Lighting Connection	
Connector Type	5 PIN M12 MALE
Cable Length(mm)	700

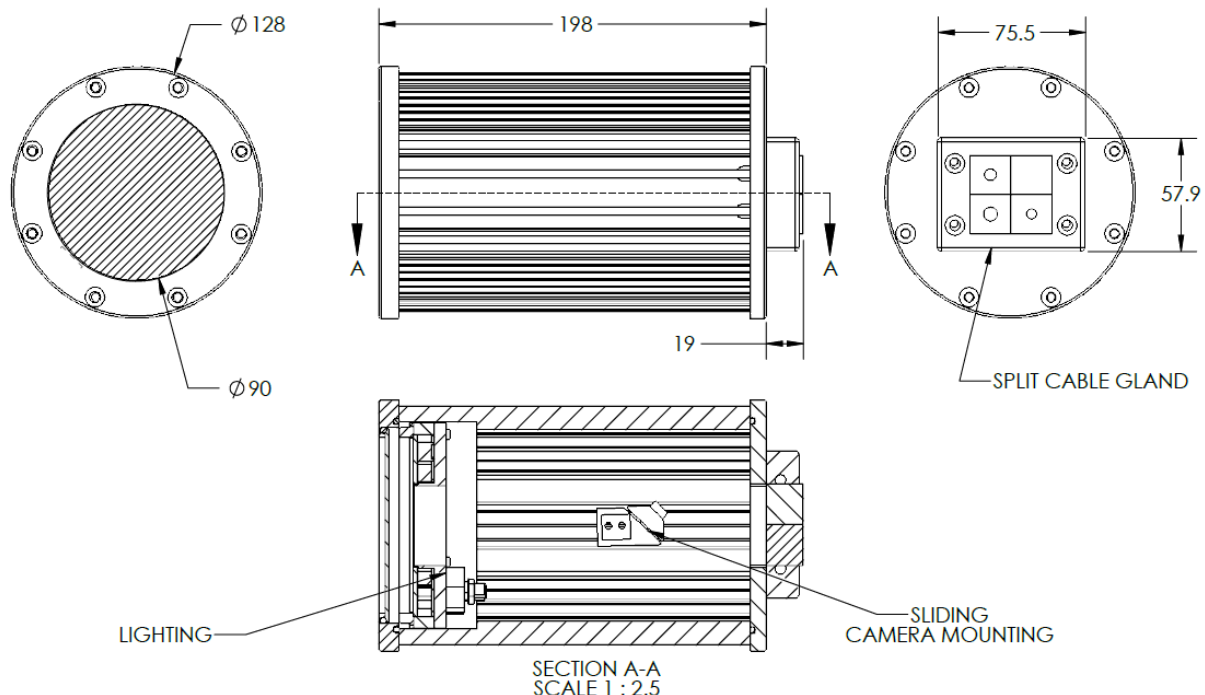
Extension Cable	
Connector Type	5 PIN M12 FEMALE
Cable Length(mm)	3000

Application	
Illumination Type	Direct Illumination
Application Use	Substrate inspection, label inspection, flat surface, fiducially recognition.

Ingress Protection(IP) Enclosure Specifications

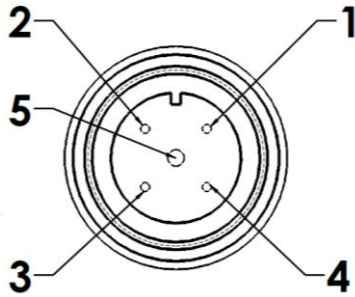
Material	Aluminium
Color	Shining Silver & Gold
Protection Level	IP65
Length(mm)	217
Width(mm)	128
Height(mm)	128
Cable Holes	4
Compliance	CE, RoHS, REACH
Accessories	Cable Gland, Camera Mounting, Cable Adapter, Extension Cable

IPE Dimension Layout



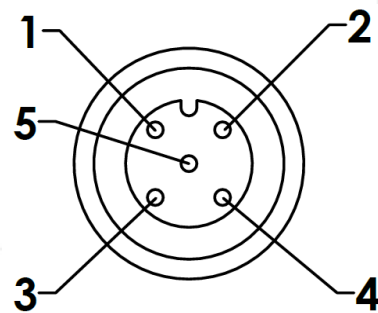
Lighting Connector Pin Configuration

MALE



PIN 1	BROWN	24V
PIN 2	WHITE	-
PIN 3	BLUE	GND
PIN 4	BLACK	-
PIN 5	GREY	-

FEMALE



PIN 1	BROWN	24V
PIN 2	WHITE	-
PIN 3	BLUE	GND
PIN 4	BLACK	-
PIN 5	GREY	-

Packing list



No.	Items	Quantity
1.	IPE-130X180	1
2.	LIGHTING	1
3.	CABLE ADAPTER (M8-to-M12)	1
4.	EXTENSION CABLE (M12-to-ferrule)	1
5.	M4 NUT	4